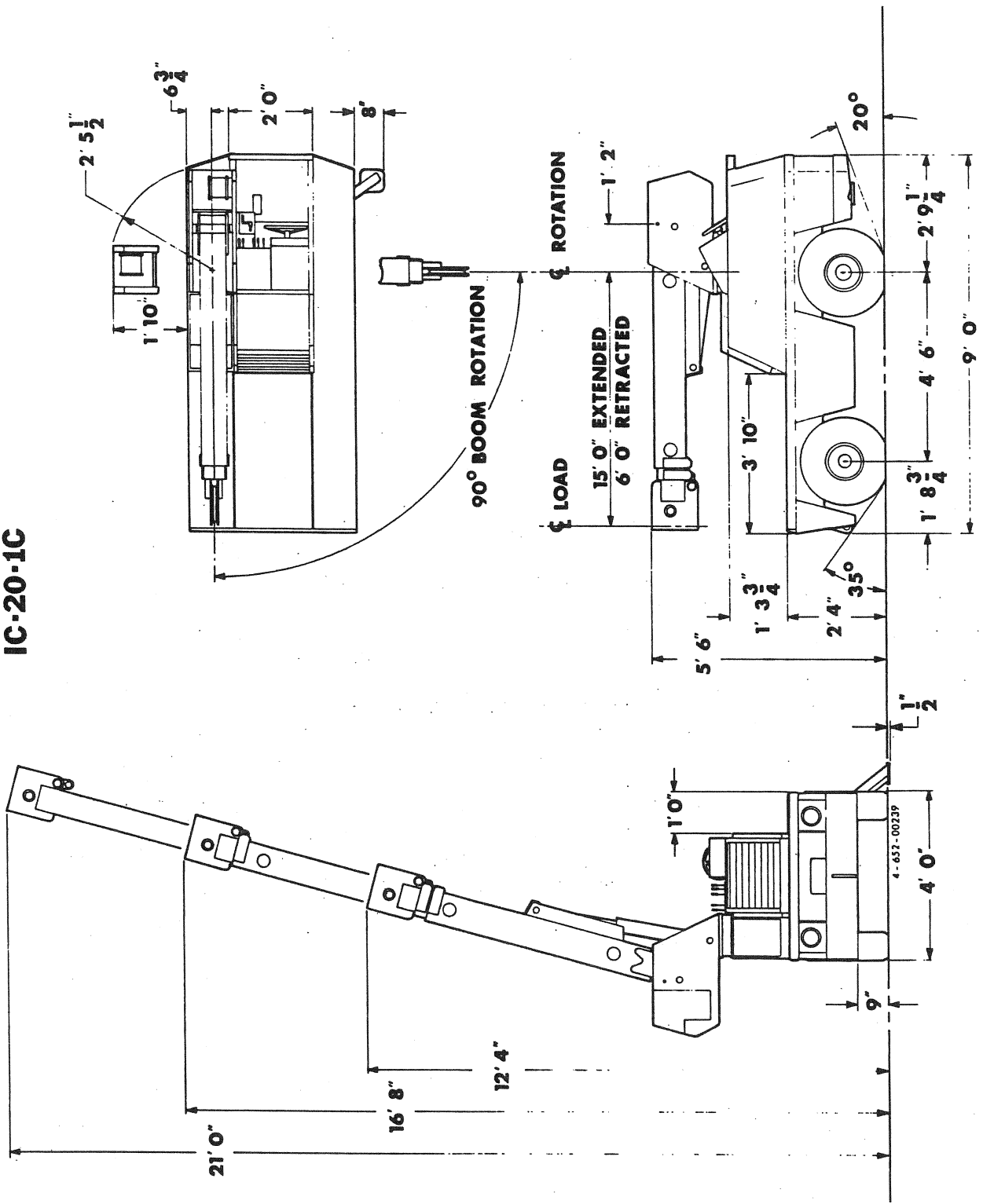
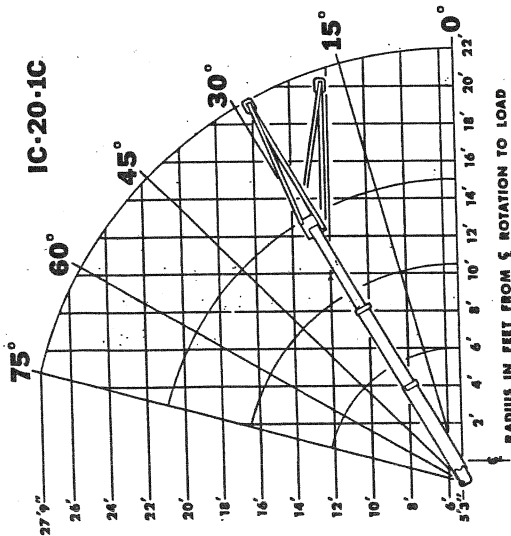


IC-20-1C



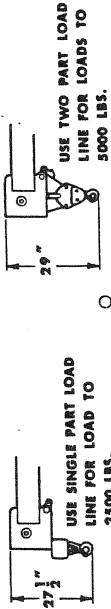
CRANE CAPACITY CHART

IC-20-1C



LOAD RADIUS FEET	3-SECTION BOOM FOR 90° SWING		7 FT. JIB INSTALLED 90° SWING (IN LINE OR OFFSET)	
	CENTERED OVER FRONT	ON RUBBER	ON RUBBER	ON OUTRIGGER
4	5000	5000	1300	1300
5	4000	4000	1100	1100
6	3000	2625	750	750
8	2500	1550	650	650
10	1950	1025	550	550
12	1675	750	500	500
15	1200	500	500	500
17			425	500
19			325	500
22			225	350

CAPACITIES ON OUTRIGGER ARE 85% OF TIPPING LOADS. CAPACITIES ON RUBBER ARE 75% OF TIPPING LOADS. **BOLD** LINE ARE LIMITED BY TIPPING. OTHER CAPACITIES ARE LIMITED BY STRUCTURAL OR HYDRAULIC CAPABILITY.



CARRY CAPACITY SPEED LIMIT 3 MPH
 DECK LOAD CAPACITY 5000 LBS. (CENTERED OVER AXLE)
 PERSONNEL BUCKET CAPACITY-OUTRIGGER EXTENDED-300 LBS. THE BOOMS ON THIS UNIT ARE ALL STEEL AND HAVE NO LINE VOLTAGE RATING.
 MAXIMUM HYDRAULIC PRESSURE 2500 PSI
 ALL CAPACITIES APPLY TO OPERATION ON FIRM LEVEL SURFACES.

OPERATION:

1. READ AND UNDERSTAND OWNERS MANUAL BEFORE OPERATING
 2. CHECK LEVEL OF HYDRAULIC OIL DAILY.
 3. CHECK UNIT FOR VISIBLE DEFECTS AND LOOSE PARTS.
 4. START ENGINE.
 5. SET VEHICLE PARK BRAKE SECURELY.
 6. EXTEND OUTRIGGER TO SOLID FOOTING.
 7. OPERATE ALL HYDRAULIC CONTROLS SLOWLY AND DELIBERATELY FOR SMOOTH MOTION.
 8. DRIVE SLOW WHEN MAKING SHARP TURNS ON SLOPES.
- THE LOAD HOIST LINE ON THIS UNIT MUST BE 5/16" DIA. 6X37-1WRC-1P WIRE ROPE WITH A MINIMUM BREAKING STRENGTH OF 9160 LBS. TIRE PRESSURE 100 PSI.

MODEL NO. [REDACTED]

SERIAL NO. [REDACTED]

BRODERSON MANUFACTURING CORP.
 P.O. BOX 14770 LENEXA, KANSAS 66215

4-654-00152